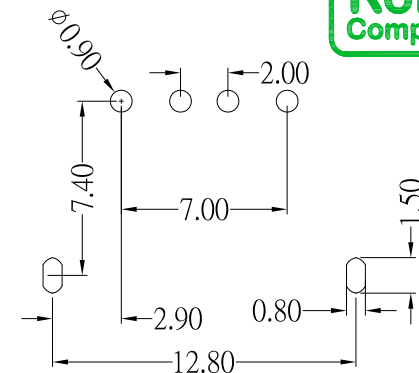




SUA-110H56I-x-S236

COLOR :

Black: B
White : W
Red : R



P.C.B LAYOUT MOUNTING PATTERN

SPECIFICATIONS

Electrical:

- 1.Rating: 2.5A
- 2.Contact Resistance: 30 mΩ Max
- 3.Dielectric Withstanding Voltage: 500 V AC
- 4.Insulation Resistance: 1000 MΩ Min

Mechanical:

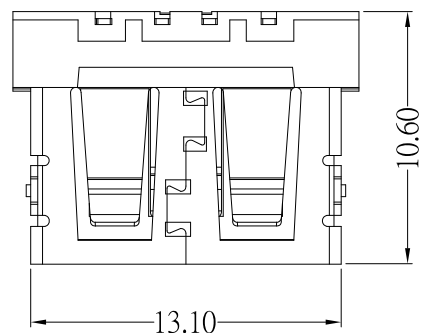
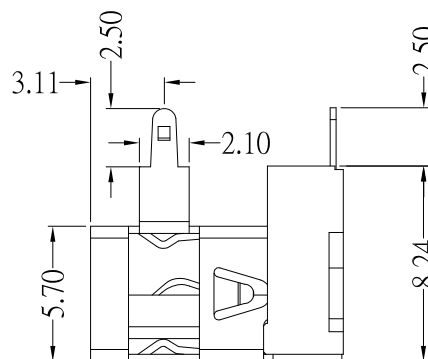
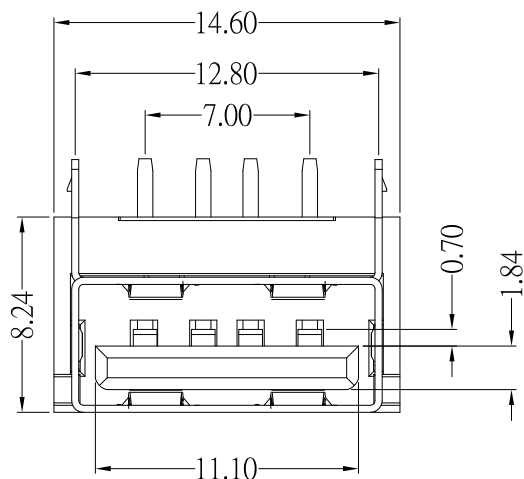
- 1.Connector Mate and Unmate Force
 - 1.1 Mate force: 35 N (Max)
 - 1.2 Unmate force: 10N (Min)

Material:

- 1.Housing: PBT
- 2.Contact: Brass
- 3.Shell: SPCC

Finish:

- 1.Contact: Plated Gold in Mating Area ;
Tin Plated on Solder Balls ;
Nickel under plated overall
- 2.Shell: Nickel under Plated surface layer



3	更新尺寸	Jack	033121
2	新增尺寸	Jack	011521
1	新增PCB LAYOUT尺寸及新增顏色選項	Jack	011421
ITEM NO.	DESCRIPTION	DRAWN	DATE

東莞市高迪電子有限公司
DONG GUAN GAO DI ELECTRONICS CO., LTD

TOLERANCE UNLESS OTHERWISE STATED:
Up to 5 ±0.2
Above 5 ~ 15 ±0.3
Above 15 ~ 30 ±0.4
Above 30 ~ 50 ±0.5
Angle ±0.3°

3RD. ANGEL'S

UNITS MM

DRAWN BY:	DATE	MAT'L	TITLE	CONNECTOR
Jack Lu	03/31/21		MODLE	USB AF 短體10.6 前2腳 加高H8.24mm
CHECKED BY:	DATE	FINISH	SCALE	1 : 1
Jacky Chen	03/31/21		DWG NO.	SUA-110H56I-x-S236
APPROVED BY:	DATE	SHEET NO.	PART NO.	SUA-110H56I-x-S236
Tony Kao	03/31/21	1 of 1		
			SIZE	A4
			VER	R3